

INSTALLATION AND MONTHLY MAINTENANCE FOR

THE RPI CASSETTE SEAL (RPI PART #SCS001) TO FIT THE STAT/M® 2000 CASSETTE AUTOCLAVE
 THE RPI CASSETTE SEAL (RPI PART #SCS029) TO FIT THE STAT/M® 5000 CASSETTE AUTOCLAVE

INSTALLATION INSTRUCTIONS

- 1) The cassette must be opened and cooled before removing the cassette seal. **See Figure A.**
- 2) Start with any of the (4) corners and begin prying the cassette seal loose using the RPI Cassette Seal Removal Tool (RPI Part #RPT372) and by pulling down and out at the same time. **See Figures B and C.**
- 3) Once the first corner is free, take hold of the cassette seal and pull down and out in order to remove it from the cassette groove. Be careful not to tear the (2) locating tabs in each corner of the cassette seal. **See Figures B and C.**
- 4) Once the cassette seal has been removed, it is important to inspect, clean and remove any residue and/or debris from the cassette groove and outer edge. Check for dings and dents on both halves of the cassette; if present, a proper seal may not occur. **See Figure D**
- 5) Using (1) package of RPI Liquid Soap (RPI Part #RPS287), lube the cassette seal completely. *Note: It is not necessary to lube the inside of the cassette seal.* **See Figure E.**
- 6) Now you are ready to install the cassette seal.
- 7) When installing the cassette seal, it is best to start in the back corner, nearest the port holes of the cassette. Slip the cassette seal under and into the corner, placing the locating tabs at the edge of the open corner. Now align the port holes and their locating tabs with the cassette. The locating tabs must protrude through the square notches of the cassette lid. **See Figure F.**
- 8) Install the other corners in the same manner. Now insert the cassette seal into the groove of the cassette – one side at a time. **See Figures G and H.**
- 9) As you move along installing the cassette seal, check the corners to ensure that the locating tabs stay in place. *Note: The sides should be inserted until smooth – without waves or bumps.* **See Figure I.**
- 10) After you have completely installed the cassette seal, make a final inspection of all corners and all locating tabs. Remove excess soap from the port holes as the soap can cause a build up on the steam ports and in turn cause a bad seal.
- 11) Run a few test cycles to check for steam leaks, then apply Sci-Dry™ (RPI Part #SCA054). *Note: During the test cycles, it is normal to hear a hissing sound at first. The sound is from the excess liquid soap expelling and the cassette seal seating in place.*
- 12) After running the test cycles, if steam still leaks, reinstall the cassette seal and run additional test cycles. If steam leaks still occur, it is possible that the problem was not a faulty cassette seal, but something else, so refer to the operator's manual or contact your service professional.

FIGURE A

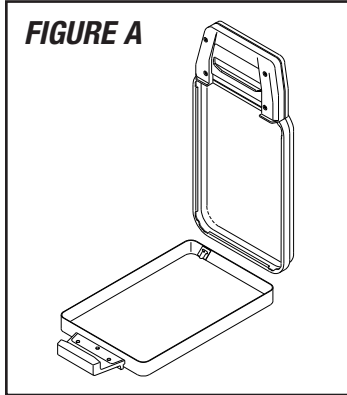


FIGURE E

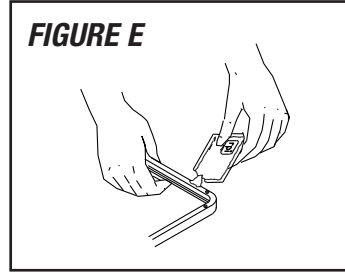


FIGURE F

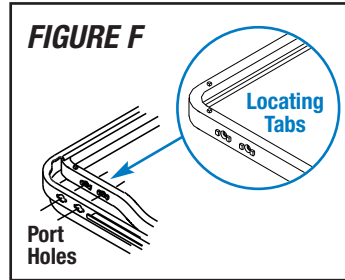


FIGURE B

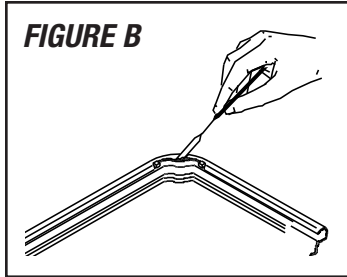


FIGURE G

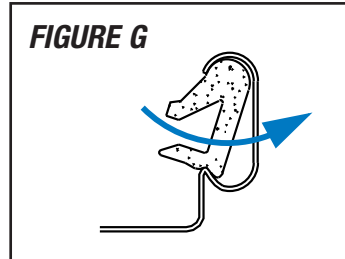


FIGURE C

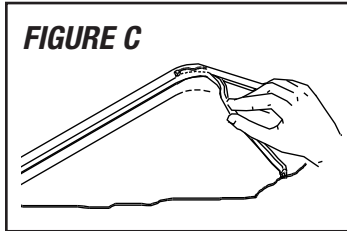


FIGURE H

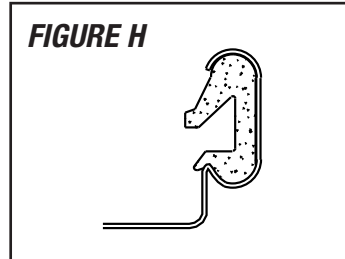


FIGURE D

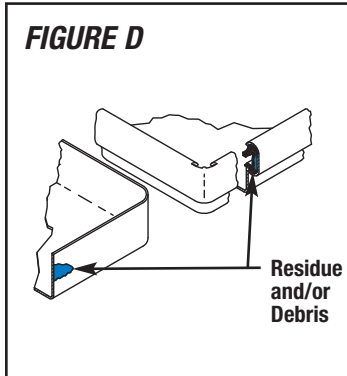
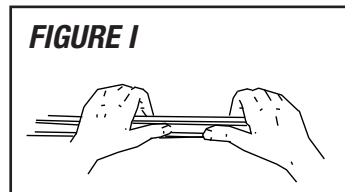


FIGURE I



USAGE TIPS

- ✓ Always note the position of the cassette when inserting it into the unit – if the cassette is installed upside down, the thermocouple will bend and the sterilizer will become inoperative.
- ✓ The OEM recommends lubrication of Cassette Seal every 30 days and replacement every 6 months or 500 cycles – whichever comes first. Clean the outer edge of cassette tray and the exposed area of the Cassette Seal with RPI Liquid Soap (RPI Part #RPS287) weekly. Apply Sci-Dry™ (RPI Part #SCA054) every 10 cycles and after cleaning.
- ✓ Always keep the inside of the cassette clean. Remove residue and/or debris from the metal edge of the lower half of the cassette on a regular basis.
- ✓ Sci-Dry™ (RPI Part #SCA054) should be applied after every 10 cycles and after cassette cleaning. Coat all internal surfaces of cassette. Sci-Dry™ minimizes spotting and allows instruments to dry more efficiently.
- ✓ Watch for steam leaks from the cassette bay as they can cause damage to the microswitch and other internal components, thus rendering the sterilizer inoperative.
- ✓ Refill the reservoir with distilled water only. At the same time that the reservoir is refilled, the condenser waste bottle should be emptied and refilled. Refill the condenser waste bottle with tap water to the Minimum Fill Level as shown on the bottle. *(Note: Never operate sterilizer when water level is above the Maximum Fill Line or below the Minimum Fill Line.)*